

Morini[®] CM 22M



Technical Data

Caliber:	.22 l.r.
Weight:	1210 g Steel 950 g Aluminum
Total Length:	300 mm
Total Height:	140 mm
Total Width:	50 mm
Length of Sight Line:	220 mm
Barrel Length:	130 mm
Number of Riflings:	6
Trigger:	Mechanic
1 st stage weight:	400 g – 800 g
2 nd stage weight:	100 g – 1000 g
Sight:	3.0 - 3.5 - 4.0 - 4.5 - 5.0 mm
Sight Slot:	Micrometrically Adjustable
Nr. of Ammunition in the Magazine:	6
Grips:	Adjustable/Fixed - Right/Left

Morini Competition Arm S.A.
Via ai Gelsi 11

CH - 6930 - Bedano - Switzerland

Tel. : +41 91 - 9352230 - Fax : +41 91 - 9352231 - www.morini.ch - morini@morini.ch

Attention:

Please ensure that you carefully read all the following handling notes prior to operating your new pistol. Remember that firearms are dangerous!

Never point the pistol at anyone. Treat the pistol as if it is always loaded. Have the pistol regularly serviced by a qualified gunsmith. Any alterations or adjustments not within the normal operating parameters usual for precision target shooting will render the warranty invalid. Never use any unnecessary pressure or excessive force with components during disassembly, reassembly or whilst cleaning. Use only factory parts and an appointed agent for overhauls.

Dear Shooter,

You have acquired a pistol manufactured in Switzerland by *Morini Competition Arm S.A.* This company has specialised in the manufacture of the very best quality high precision anatomical handgun grips since **1977**, starting weapons production in **1985**. High precision and quality control at all stages of production are their hallmark and characterise the ethos behind continued development of their weapons to suit the demands of the world's top shooters. Proper handling will guarantee continued and satisfactory use of your weapon through years of shooting. However success cannot be generated from the mechanics of the weapon alone so the grip form then becomes part of the equation. Historical achievement has helped us to bring the two elements together and this is what you find when you come to the weapon for the first time. Initially the pistol may appear much like others but there are many design innovations that may not be immediately apparent like: the use of a *130 mm* long barrel, the cartridge feed ramp that is above rather than below the barrel, an adjustable hammer spring for different levels of strike energy, an adjustable recoil buffer system allowing optimum performance from all grades of ammunition, a fully adjustable in all directions anatomical grip and the disassembly that is achievable with just one screw.

We wish you years of success and enjoyment of your sport with this new **Morini** pistol.

Morini CM 22M .22 l.r. Sport Pistol

This pistol is equipped with a semi-automatic, self-loading action. After firing the weapon automatically recycles and feeds the next round to the breech. When the last round leaves the barrel the breech will close normally such that the handling characteristics remain constant throughout the course of fire. This is a deliberate design concept.

Warranty

The *Morini CM 22M* sport pistol is supplied with a **24 months** warranty from the date of purchase. It is designed to be free of any defects in materials and workmanship such that should there be any reason for dissatisfaction as a result of one or the other of these causes *Morini* will replace any defective part free of charge. As explained above any attempt at modification to the manufacturers standard product will render this warranty invalid. Any repair work that is not carried out by one of *Morini's* factory appointed distributors, agents or retail distributors will also render this warranty invalid. If you have any problems or work to be done take the pistol back to the dealer from whom you purchased it. This warranty is only applicable if the attached warranty card is posted to us within **14 days** of the date of purchase.

1. Loading and firing

- 1.1 Open the slide and latch it with the slide stop.
- 1.2 Push the magazine catch forward with your thumb and remove the magazine.
- 1.3 Depress the magazine follower lugs on the side of the magazine and load the magazine with up to 6 rounds of calibre .22 l.r. ammunition. Replace the magazine in the pistol.
- 1.4 Grip the slide firmly and pull backward, this allows the slide catch to release and the slide to move forward carrying the first round with it.

Warning: Do not attempt to restrict the normal closing action of the slide return spring. Allow the slide to return forward at its correct speed to ensure that the first round is correctly chambered. Always carry out loading, reloading or unloading with the muzzle of your pistol down the range and towards the target area. ***Never allow yourself to touch the trigger whilst loading, reloading or unloading your weapon!***

2. Unloading

After firing the last round open the slide and latch it open as 1.1 above. Check that the breech is clear and the last round has been fired. If shooting is to be discontinued remove the magazine and place it on the shooter's bench, muzzle down-range, with the breech locked open for inspection. If shooting is finished for the time being, ensure that the hammer spring tension is released. This can only be achieved with the slide in the closed position. The magazine must be removed from the pistol. A slight pull rearward on the closed slide will set the mechanism after which the trigger can be pulled relieving the hammer spring.

Warning: Do not attempt to restrict the normal closing action of the slide return spring. Allow the slide to return forward at its correct speed to ensure that the first round is correctly chambered. Always carry out loading, reloading or unloading with the muzzle of your pistol down the range and towards the target area. ***Never allow yourself to touch the trigger whilst loading, reloading or unloading your weapon!***

3. Trigger adjustments

The trigger has been factory set at 1000 g. this can be reset by you to your own preference within the quoted range of adjustment. All adjustments for the trigger are to be carried out using the screws on the left side of the pistol when held with the muzzle down-range. Safety screws (2/4/6/9/11) are intended to prevent overtravel whilst adjusting. Always loosen these prior to making any adjustments.

3.1 Free travel

Unscrew (4) and turn (3) clockwise to shorten the travel. Retighten (4). After setting it is necessary to readjust the stop point by turning (17).

3.2 1st stage weight

Unscrew (6) and turn (5) clockwise to increase the load from a minimum of 400 g to a maximum of 800 g. When adjusted to your preference retighten (6).

3.3 2nd stage weight

Turning (8) clockwise increases the load from a minimum of 100 g to a maximum of 1000 g. The overall trigger weight is a combination of 3.2 and 3.3.

3.4 Travel to the release point (creep)

Unscrew (9), turn (7) clockwise to increase travel. When adjusted to your preference retighten (9).

3.5 Trigger return stop point

Turn (17) clockwise to reduce the distance of forward blade travel.

3.6 Trigger blade position

Unscrew (16) and set the trigger blade position forwards or backwards on its rail for your individual finger reach. Retighten (16).

3.7 Trigger stop point

Unscrew (2) and adjust (1) to your preference. Always allow some slack to avoid damage to the trigger mechanism. Retighten (2).

4. Rearsight adjustment (*Fig. 1*)

4.1 Vertical adjustment

To move group on target **DOWN**, turn adjustment screw (1) clockwise. One click will move hit on target by 7.5 mm.

4.2 Horizontal adjustment

To move group on target to the **RIGHT**, turn adjustment screw (2) clockwise. One click will move hit on target by 5 mm.

4.3 Adjusting the width of the rear sight notch

Turning adjustment screw (3) clockwise will widen the rear sight opening by 0.1 mm every click.

5. Foresight

This is supplied 4.0 mm wide as standard. Additional foresight blades are available in 3.0, 3.5, 4.5 and 5.0 mm at extra cost.

6. Grip adjustment

The grip is adjustable and pivotable to the weapon system in all directions and may be widely adapted to the shooting posture of the shooter. For this purpose the grip has to be taken off by removing his screw. Adjusting itself is achieved by means of the counterscrews (12), (13), (14) and (15) located at the bottom and the rear of the casing.

7. Disassembly

7.1 Unload the weapon as 1.1 and 1.2 above.

7.2 Loosen the torx screw at the front of the trigger guard and dismount the top slide from the main frame.

7.3 Ease the action rearward then push down and slide forward again.

7.4 Undo the grip retaining allen screw and remove both.

8. Reassembly

Reverse the procedure described in 7 above ensuring the grip retaining screw and the frame attachment screw are securely tightened.

9. Hammer spring tension

Loosen (11) and turn (10) clockwise to increase the hammer strike energy. Retighten (11).

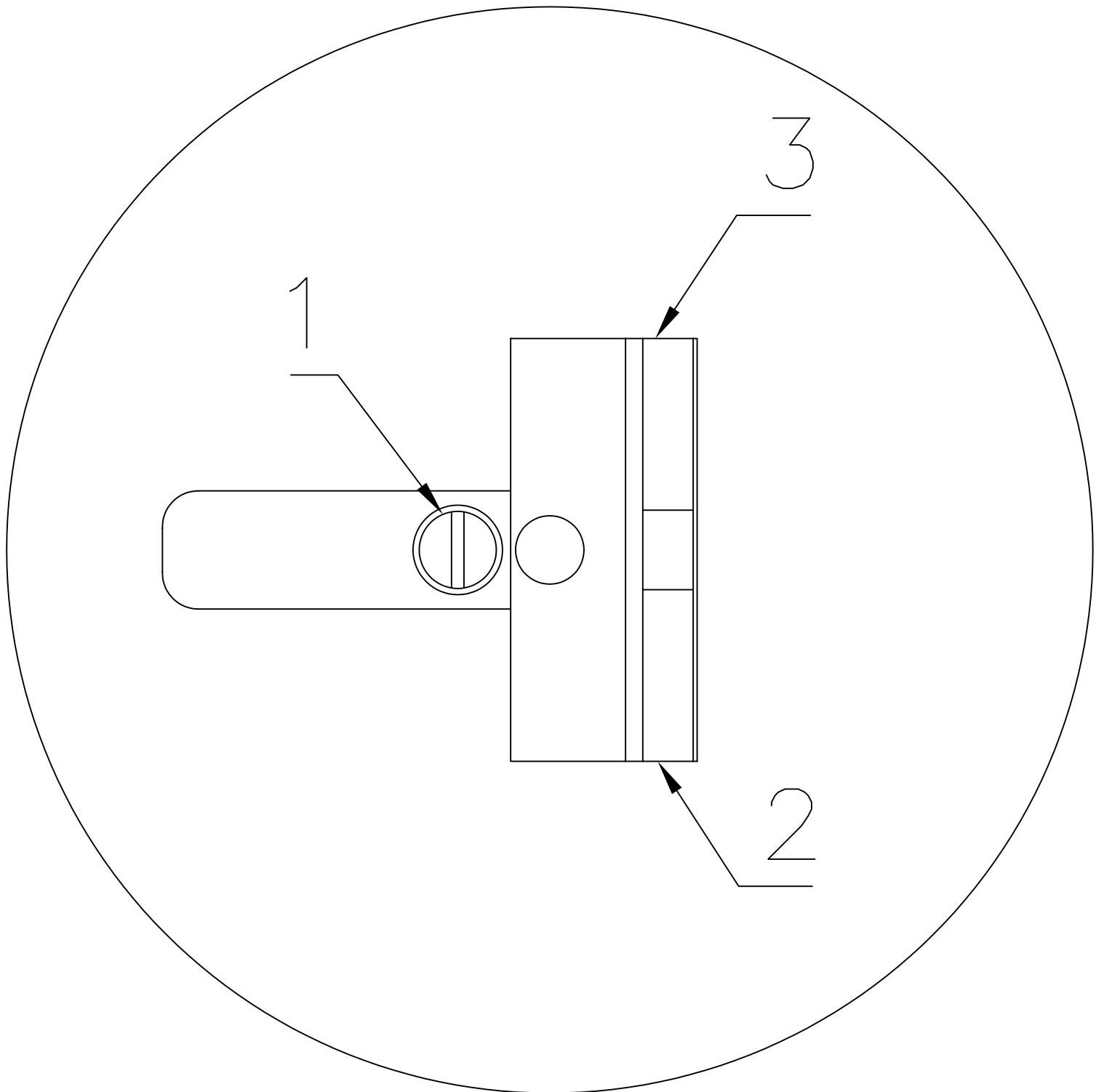
10. Recoil buffer adjustment

Adjust (022017) for your preferred recoil effect. Turn clockwise for higher powered ammunition.

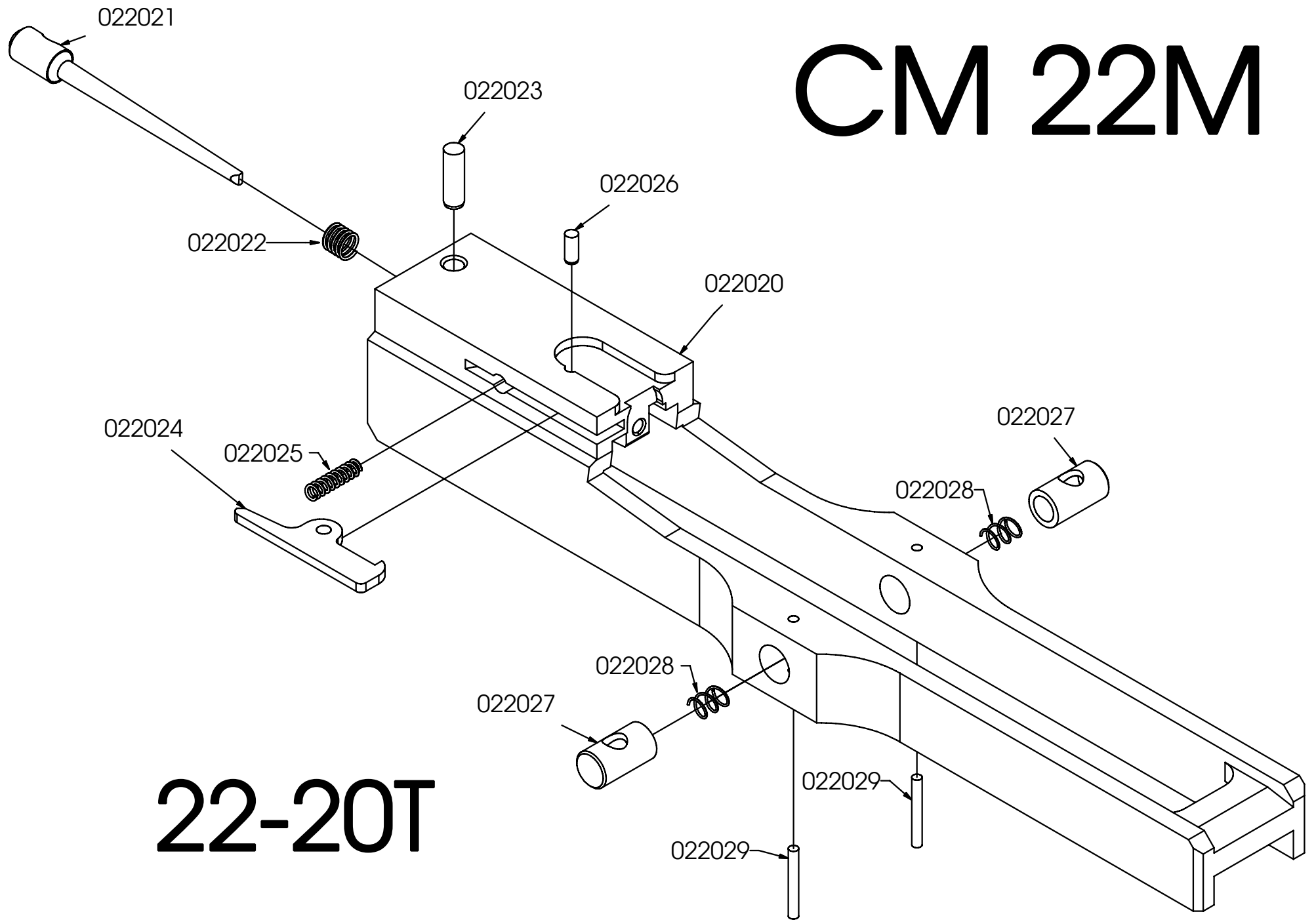
11. Cleaning

Morini recommend regulars cleaning to ensure the pistol retain all its original design and performance parameters. Strip and clean the weapon after every 500 rounds. Use a phosphor bronze or brass brush initially to clean the barrel. This should always be carried out from the breech end. Then use a nylon brush, a clean patch or .22 felts to remove excess cleaner once cleaning has been completed. Other parts should be cleaned with a cloth, light brush or pressure air. Clean and dry the trigger assembly. Never use aerosol lubricants or oils within the trigger unit however one drop of oil may be applied to the sear only. It is good practice to wipe the external surfaces of your reassembled weapon with a silicon cloth or one with the lightest film of oil, such that an external protective sheen is archived prior to storage. Never leave your weapon to sweat or perspire within a damp pistol rug or in storage exposed to extreme changes of temperature or atmosphere, as this will cause rusting and deterioration of the materials.

Fig. 1



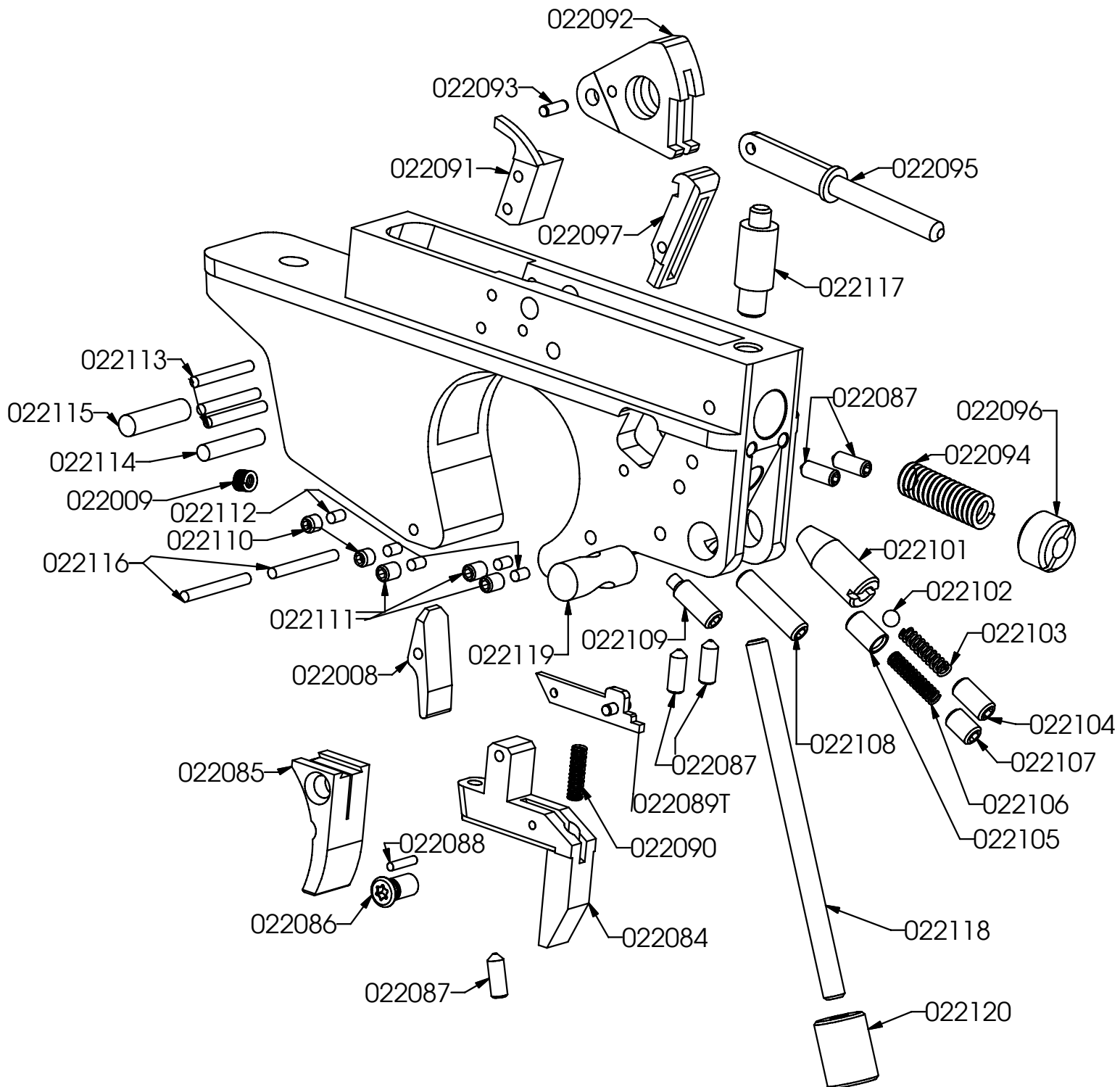
CM 22M



22-20T

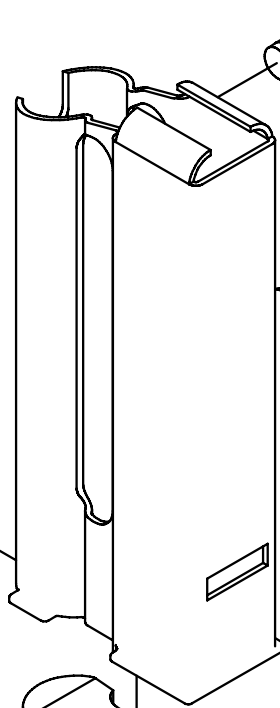
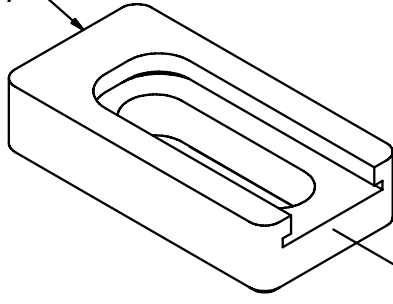
CM 22M

22-80T



CM 22M

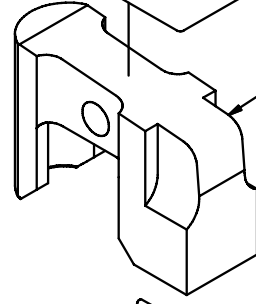
022007



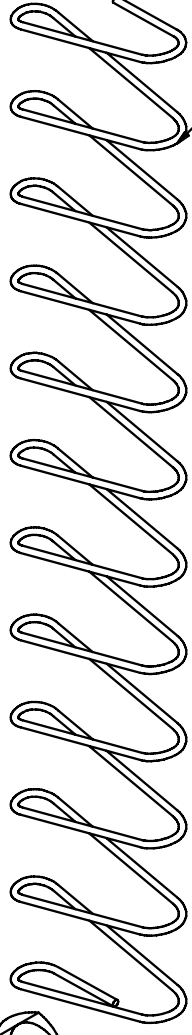
022004



022005A

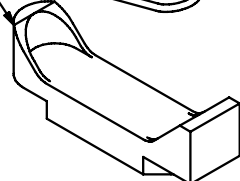


022005



022006

022007A



22-04T

